

MAX RACK 2.0


OPERATOR'S MANUAL

THE PERFECT FIT
FOR YOUR
TOUGHEST JOBS

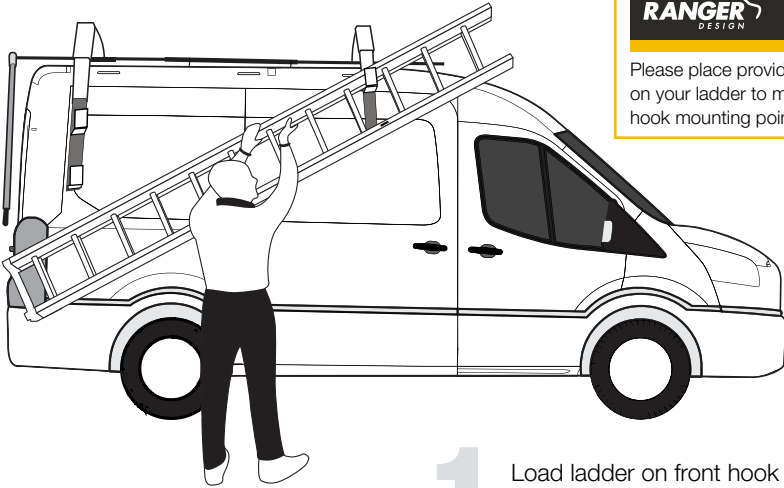
RANGERTM
DESIGN

MAX RACK 2.0

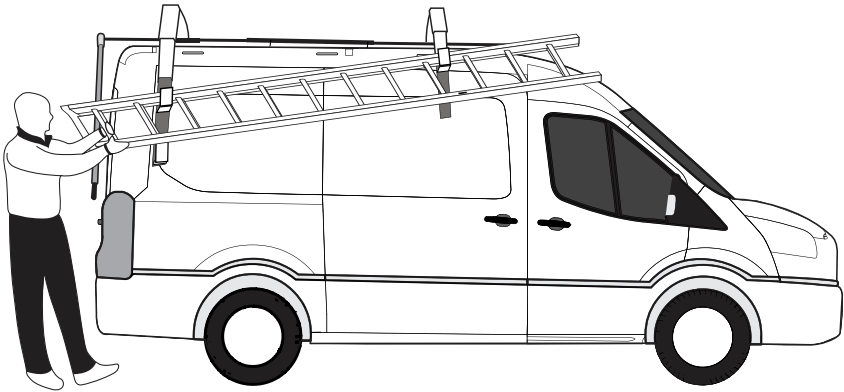
LOADING INSTRUCTIONS



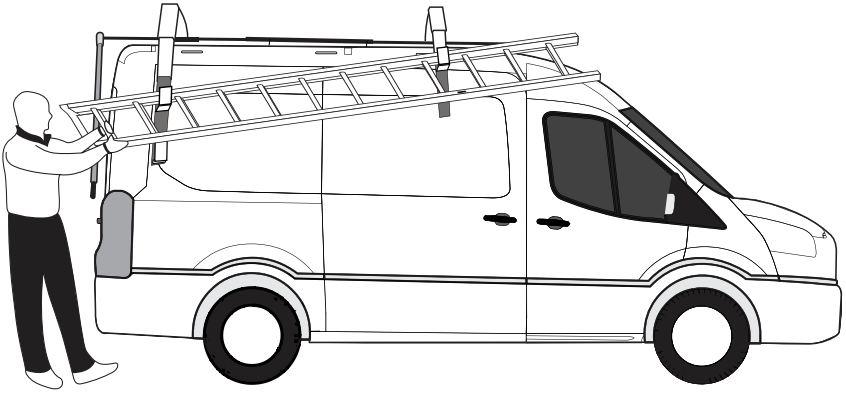
Please place provided label on your ladder to mark the hook mounting point.



1 Load ladder on front hook (Sticker can be applied for easy reference).

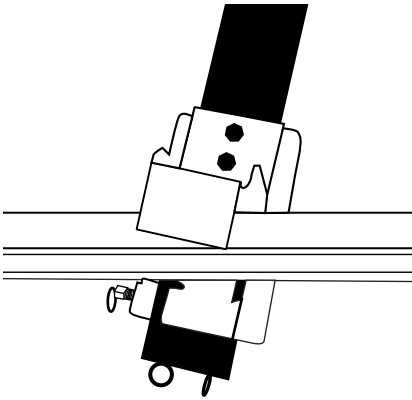


2 Lift the ladder from the rear and push the ladder forward.



3

Rotate the ladder over the rear hook and settle it into the anti-theft.



4

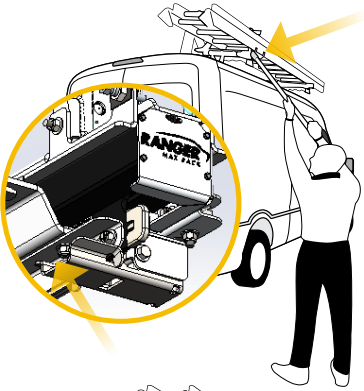
Ensure the anti-theft pin is engaged and locks your ladder.

**THE LADDER LOCK
MUST LINE UP
IN THE MIDDLE OF
TWO RUNGS WHEN
LOADING THE LADDER**

MAX RACK 2.0

OPERATING INSTRUCTIONS

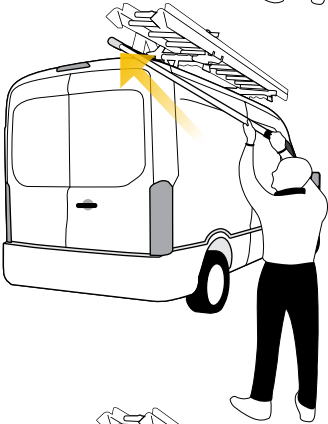
LOWER LADDER



1

STEP ONE

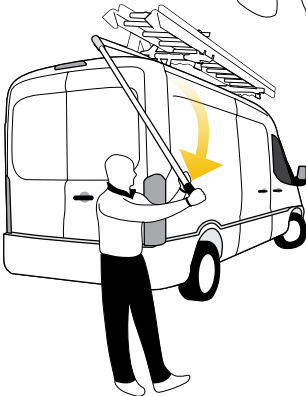
Release positive lock before operating the rack.



2

STEP TWO

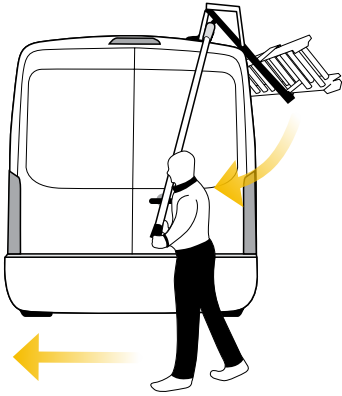
With both hands, insert the handle into the Max Rack and turn to secure.



3

STEP THREE

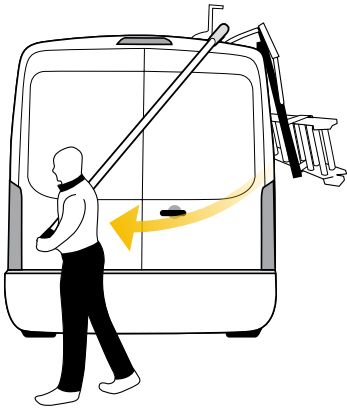
Pull the handle down towards you.



4

STEP FOUR

Turn around. Push the handle forward.

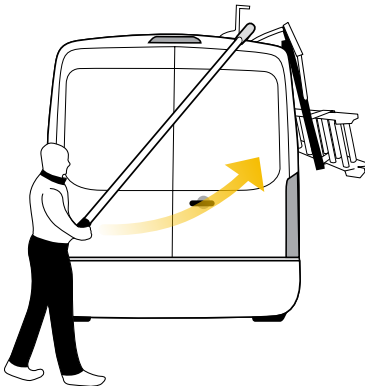


5

STEP FIVE

Continue to push the handle until the Max Rack has finished its descent. Do not let go of handle until ladder has fully descended.

RAISE LADDER



1

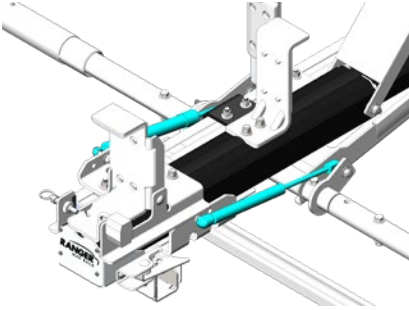
STEP ONE

Push the handle, don't pull it.

MAX RACK 2.0

MAINTENANCE SCHEDULE

WEEKLY



1

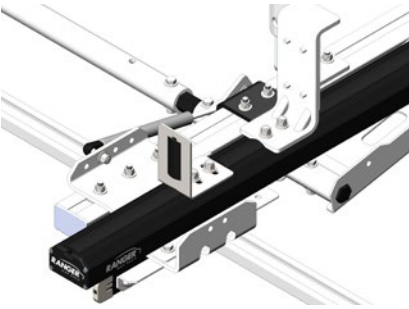
INSPECT CYLINDERS FOR OIL OR DIRT ON PISTON.

Wipe the cylinders with a paper to verify for leaks. If there is a leak, your cylinder is failing. Plan for a replacement.

2

OPERATE RACK TO HALF-POINT POSITION.

Push ladder and mechanism back onto roof and check for loose or rattling parts.

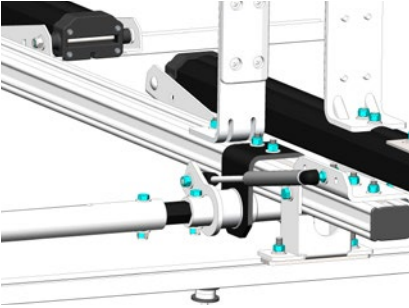


3

INSPECT INTERLOCKING HOOKS TO ENSURE THEY ARE TIGHT AND DO NOT RATTLE.

Disclaimer Carrying ladders on your roof can be dangerous. While minimizing the risks is Ranger Design's top priority, ladder rack safety is ultimately the user's responsibility. Regular maintenance can also help prevent accidents and extend the life of your rack and ladders.

MONTHLY



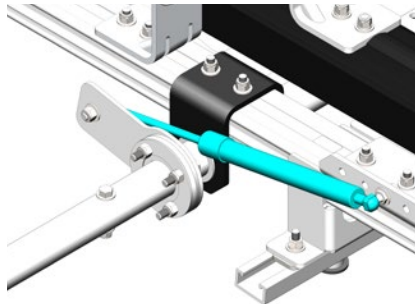
1

INSPECT BOLTS AND NUTS ON THE SHAFT AND FRAME. TIGHTEN IF LOOSE.

2

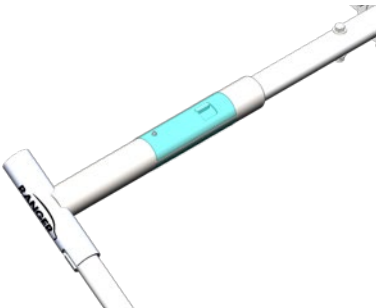
INSPECT CYLINDERS, FOUND ON THE FRONT AND REAR MECHANISMS.

Check for leaks and tighten nuts if loose.



3

INSPECT ELBOW FOR ANY CRACK AND ENSURE THE SLEEVE RESTS FLUSH TO THE PIPE KEEPING THE PIN KEY IN PLACE.

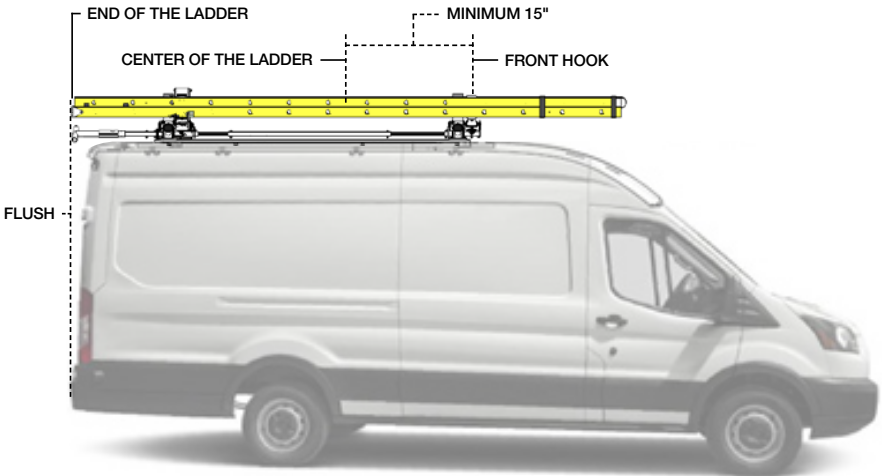


MAX RACK 2.0

LADDER INSTALLATION

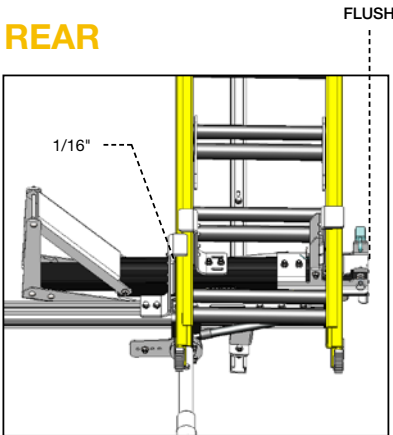
YOU MUST ENSURE:

- > The arm socket and the ladder do not extend beyond the rear bumper of the vehicle.
- > The center of the ladder must be minimum 15" behind the front hook when the ladder is loaded.

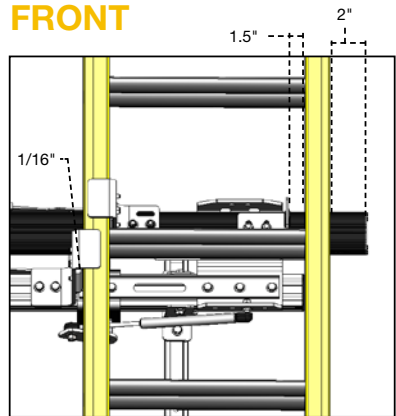


CORRECT HOOK POSITION

REAR



FRONT



MAX RACK 2.0

WARNING

Failing to comply with the hook adjustment settings can result in unrestrained ladder as shown in Figure 1 and Figure 2. In these conditions the ladder can dislodge from the vehicle, causing serious injuries to road user and can be life threatening.

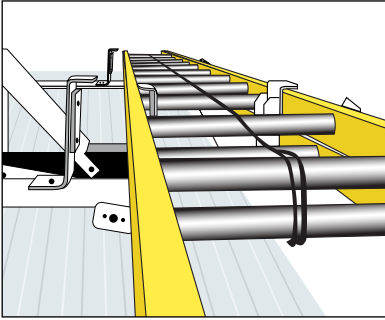


FIGURE 1

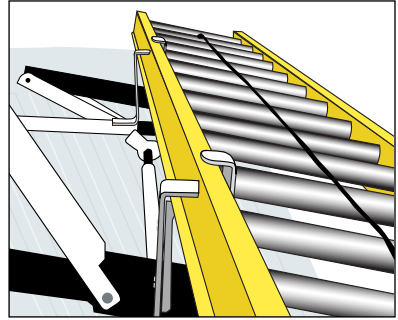
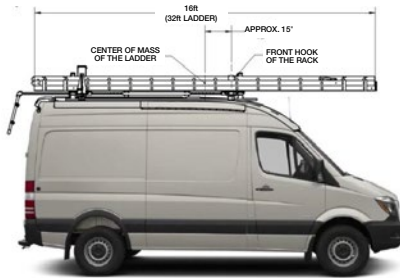


FIGURE 2



MAX RACK 2.0

MAXIMUM LADDER LENGTH

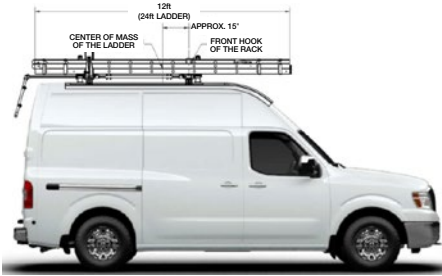


VEHICLE MODEL
(RACK MODEL SHOWN)

MAXIMUM
LADDER LENGTH

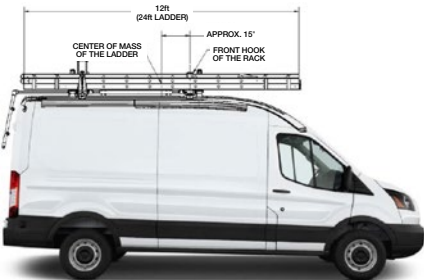
MERCEDES
SPRINTER
(1870-DH)

32ft



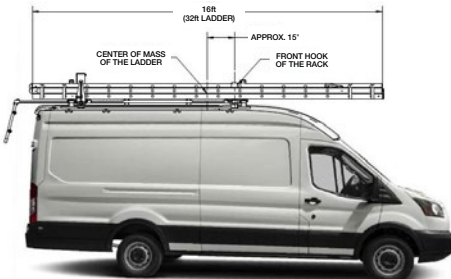
NISSAN
NV
(1870-NH)

24ft



FORD
TRANSIT
REGULAR WHEELBASE
(1870-FTR)

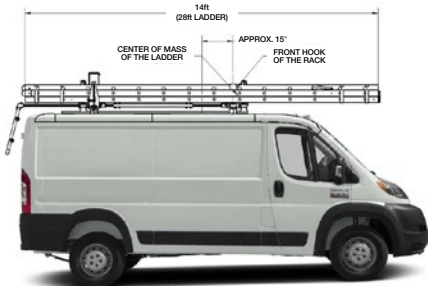
24ft



FORD
TRANSIT
LONG/EXTENDED
WHEELBASE
(1870-FTL)

32ft

MAXIMUM WEIGHT CAPACITY PER SINGLE MAX RACK IS 100LBS.

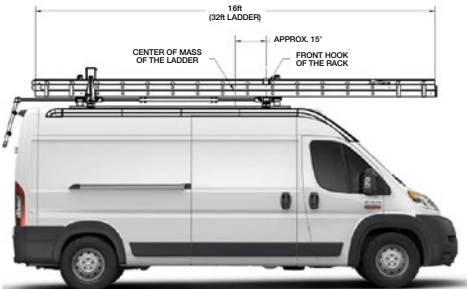


VEHICLE MODEL
(RACK MODEL SHOWN)

MAXIMUM
LADDER LENGTH

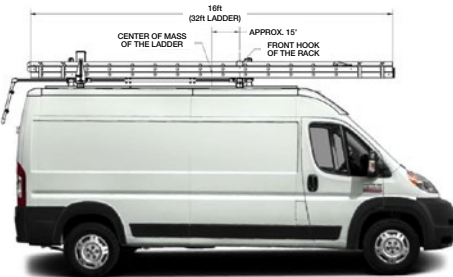
RAM
PROMASTER
118" WHEELBASE
(1870-PHS)

28ft



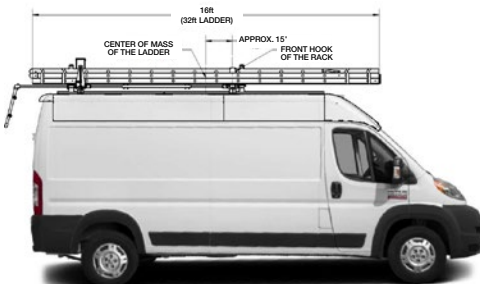
RAM
PROMASTER
136" WHEELBASE
(1870-PHM)

32ft



RAM
PROMASTER
159" WHEELBASE
(1870-PHL)

32ft



RAM
PROMASTER
159" EXTENDED WHEELBASE
(1870-PHX)

32ft

1880 FOR A DOUBLE SIDED MAX RACK 2.0

RANGERTM
DESIGN



CONTACT US

cs@rangerdesign.com

1-800-565-5321

rangerdesign.com



RANGERTM
DESIGN

M221-111 rev.1